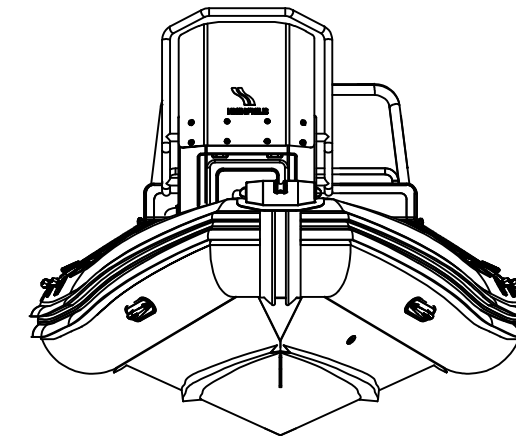
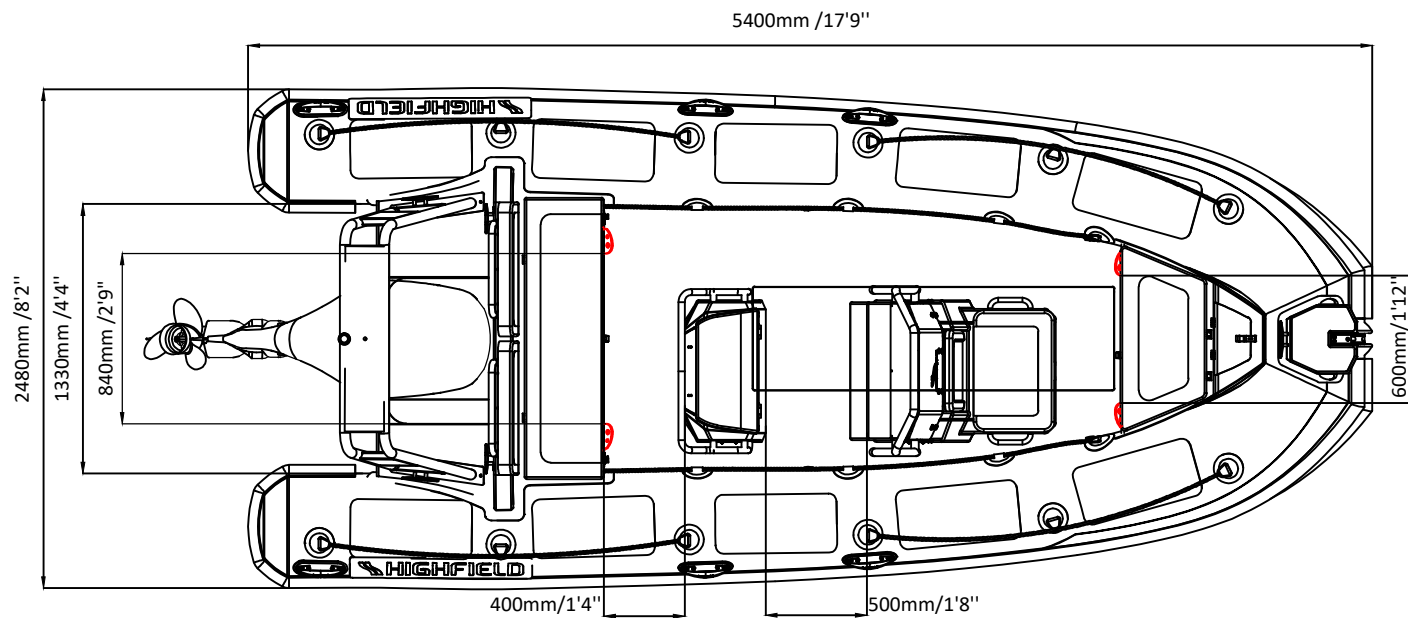
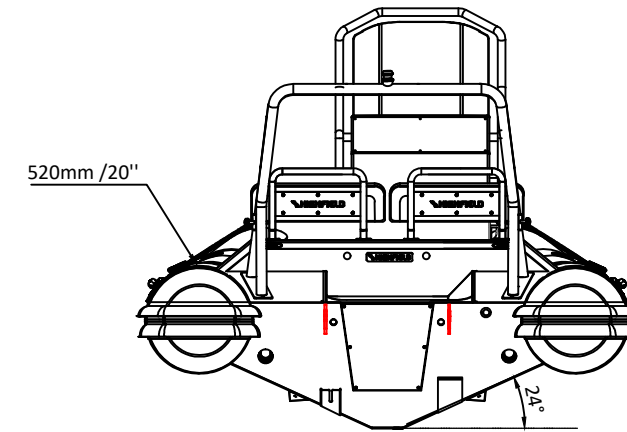
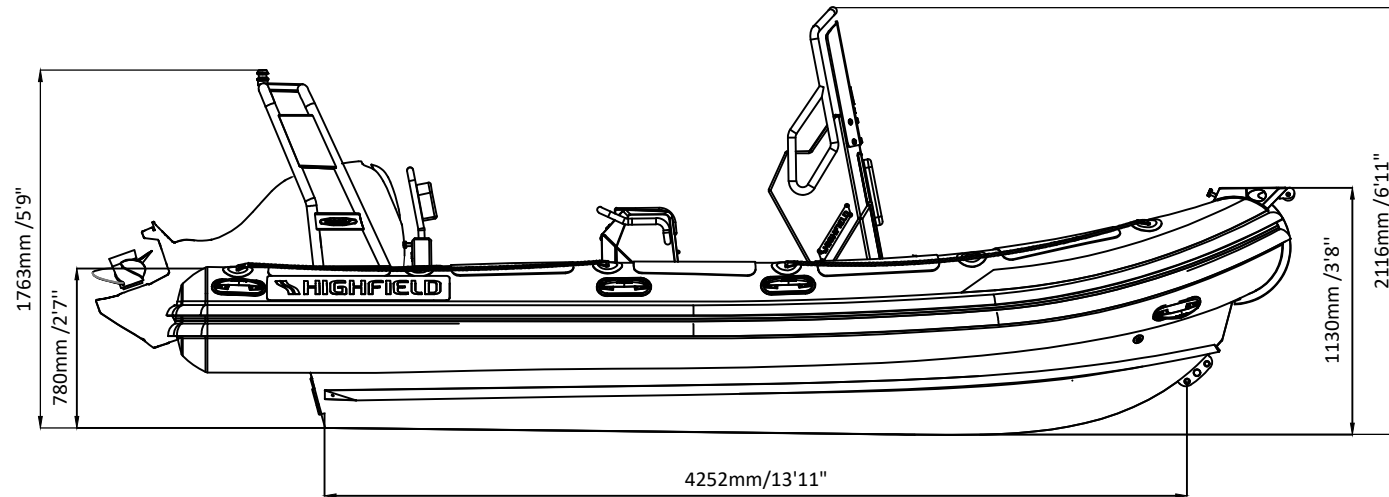


PATROL 540SB

SPECIFICATIONS



SPECIFICATIONS AND MAXIMUM CAPACITIES (Subject to change without notice. Tolerances: Dimensions ±2.5% Weight ±5%)

MODEL	ISO 6185 PART	ISO 6185	Crew		#	Weight		Shaft	Outboard Engine		Sundeck		Rollbar		Tow post		Fuel tank Capacity		Wet Weight (Approximate) 115HP (85.79KW) +Fuel		AIR CHAMBERS	Pressure					
			KG	LB		KG	LB		KG	LB	KG	LB	KG	LB	KG	LB	KG	LB	KG	LB		PSI	BAR				
			Max power KW	Max weight HP		KG	LB		KG	LB	KG	LB	KG	LB	KG	LB	L	GAL	KG	LB							
PA540SB	3	C	1375	3031	12	900	1984	XL	85.79	115	235	518	573	1263	/	/	15	32	/	/	105	27.7	877	1933	6	3.63	0.25

Boat weight includes: SUS700 console, BOL700 seat